

81102-110-02 / -04 / -06 / -08

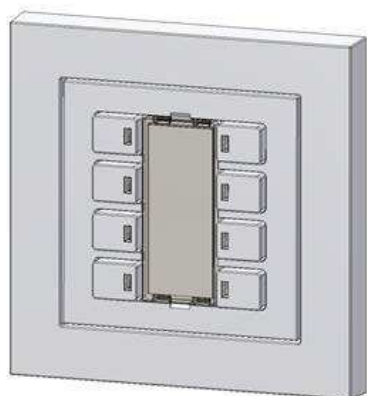
Piazza 2/4/6/8 RGB

1. General usage

KNX control panels from the IPAS Piazza product range can be used for all standard switch and configuration functions via the KNX bus. The devices are available with 2, 4, 6 or 8 buttons. Individually printed labels can be inserted into a description field so that functions can be clearly assigned to the buttons.

All devices have two orientation/status LEDs which can be illuminated in different RGB colours. These are located at the top and bottom of the description field in the central part of the panel.

In addition, Piazza devices from the Piazza 2/4/6/8 RGB range offer one status LED per button. Again these are RGB LEDs which can be illuminated in different colours.



Front view Piazza 8 RGB

The control panels can be mounted onto all standard flush-mounting boxes of Ø 60mm via two erection screws. They can be combined with the 55mm plug systems of different manufacturers (e.g. with Gira frames → Standard 55). It is also possible to have several Piazza pushbuttons within a frame combination.

The KNX bus coupler is directly integrated into the device. A standard bus terminal is used for the connection. Programming LEDs and programming buttons are accessible on the back of the panel.

2. Device types and accessories

At present the following Piazza devices are available:

Product: Piazza 2 RGB
Order no.: 81102-110-02

Product: Piazza 4 RGB
Order no.: 81102-110-04

Product: Piazza 6 RGB
Order no.: 81102-110-06

Product: Piazza 8 RGB
Order no.: 81102-110-08

Product: Piazza 2
Order no.: 81102-110-12

Product: Piazza 4
Order no.: 81102-110-14

Product: Piazza 6
Order no.: 81102-110-16

Product: Piazza 8
Order no.: 81102-110-18

3. Scope of delivery

The following individual components are part of the Piazza delivery package:

Complete device with plugged in bus connector (KNX, black/red), operating and mounting instructions

You will also need a standard 55mm frame (not included).

4. Application program

The following application programs are currently available:

81102-Button-08-0110: For application program functions please see the application program description.

5. Installation advice

- The device must only be installed and commissioned by an accredited electrical engineer.
- Please follow country-specific safety and accident prevention rules!
- The device is intended for interior installation in dry rooms.
- For the installation the device must be switched to zero potential.
- Do not open the device! Faulty devices must be returned to the manufacturer.
- Please follow country-specific rules and regulations for the planning and construction of electrical installations.

5. Technical data

Power supply

- 24 V DC via KNX Bus

Control elements

- Depending on the model, 2,4,6 or 8 buttons are available for the control of KNX functions.
- Programming button to toggle between normal and addressing mode

Display elements

- 2 RGB orientation lights at the top and bottom of the description field.
- Depending on the model 2,4,6 or 8 RGB status LEDs on each button.
- Red LED to display normal / addressing mode

Connectors

- Bus line: Bus connector KNX (black-red)

Mechanical data

- Casing: Plastic ABS/PC
- Dimensions:
 - Length: 54 mm
 - Width: 54 mm
 - Height: 28 mm
 - Weight: 60 g
- Mounting: in 60mm flush-mounting boxes

Electrical safety

- Pollution class: 2
- Protection type (according to EN 60529): IP20
- Protection class: (according to IEC 1140) I
- Over voltage category: III
- Bus: Separated extra low voltage SELV DC 24 V

EMV requirements

- Complies with EN 50090-2-2 and EN 61000-6-2:2005, EN 61000-6-3:2007

Environmental conditions

- Environmental conditions during operation: -5°C to +45°C
- Storage temperature: -25°C to +70°C
- Rel. humidity (non-condensing): 5 % - 93 %

Approbation

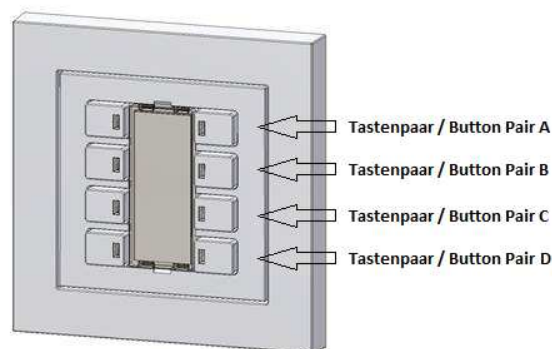
- EIB/KNX registered

CE-Signage

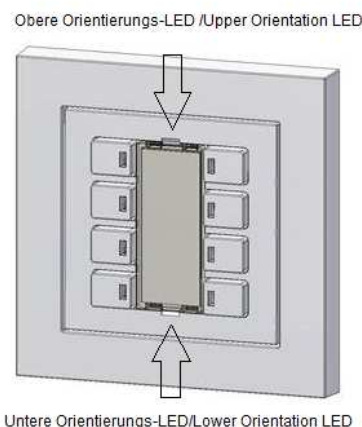
- According to EMC guidelines (Residential and commercial buildings), low voltage guidelines

6. Location and function of the display and control elements

Control elements:



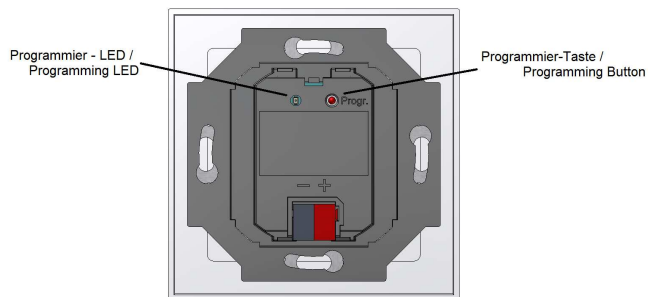
Orientation LEDs:



81102-110-02 / -04 / -06 / -08

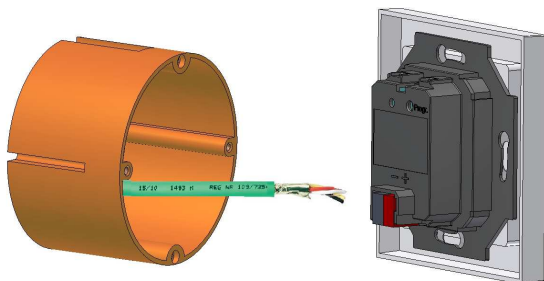
Piazza 2/4/6/8 RGB

Programming button and programming LED:

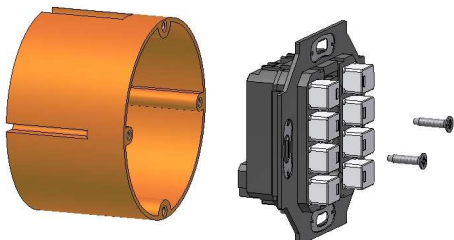


7. Mounting the device

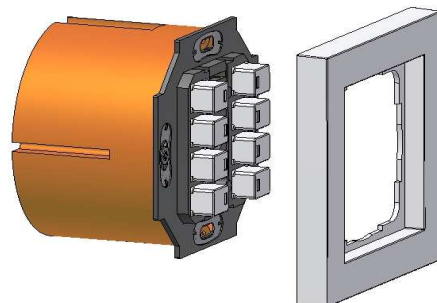
Step 1: Before the device is mounted onto a flush-mounting box, the bus cable has to be connected to the bus terminal and plugged into the rear of the device. Please remember to now assign the physical address of the KNX participant. Once the device has been mounted, the programming button and programming LED that are needed to assign the address are no longer accessible.



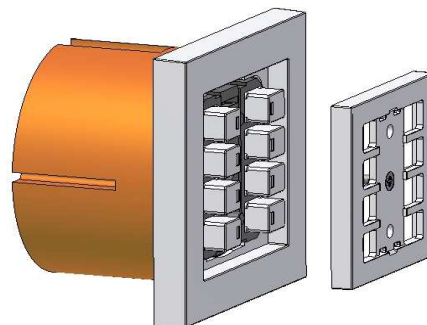
Step 2: The device is directly mounted onto a flush-mounting box. Use the erection screws to fix the Piazza buttons to the box.



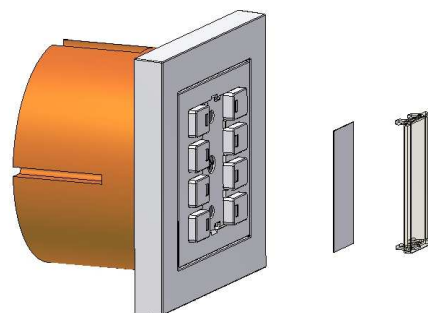
Step 3: Place a standard frame for 55mm panels (not part of the delivery package) on top.



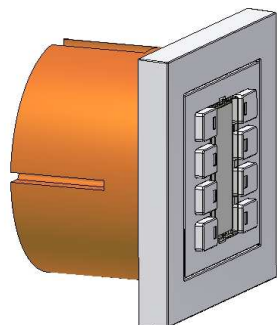
Step 4: The central panel is placed on top of the buttons and attached with the enclosed screw.



Step 5: If any labels have been printed, they are inserted into the description field and the window is placed on top.

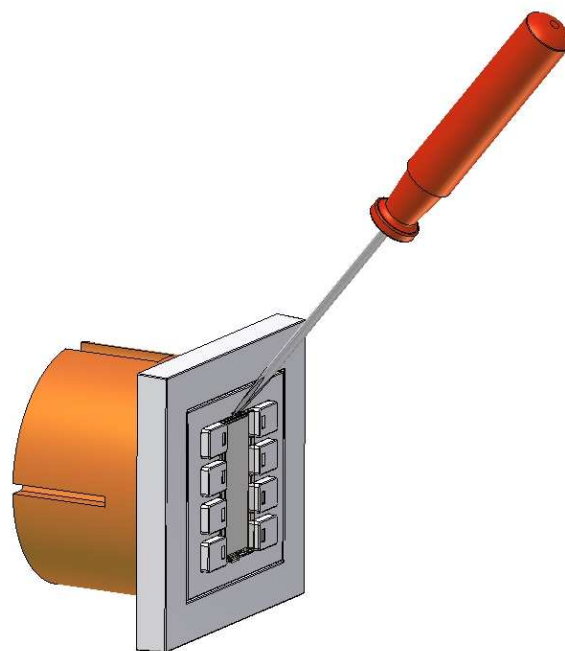


Step 6: Once the device has been mounted, you can load the application program and operate the buttons.



8. Demounting the device

To demount the device, you need to remove the window first. Please use an appropriate tool to carefully loosen it and take it off the buttons.



Once the window has been removed, you can demount the device using the same steps as above in reverse.

